

U-1000 Tool



U-1000 Tool	
Length	13"
Tool Weight	4 lbs.
Capacity	2 1/2" fastener length
Load Size	22 caliber single crimped

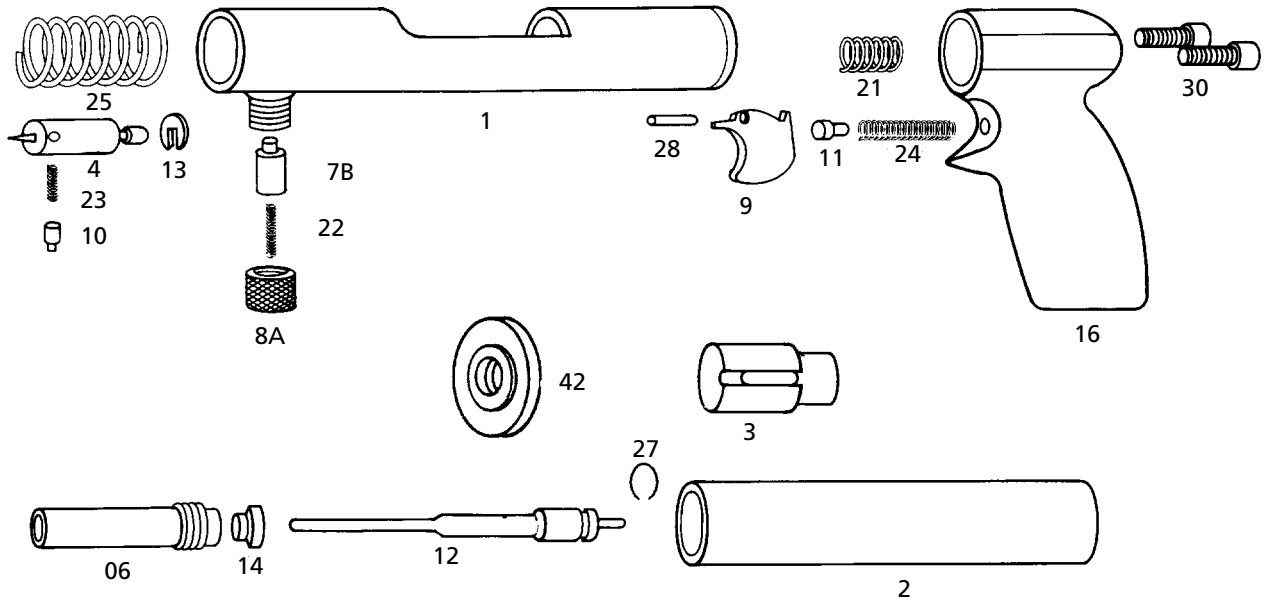
Features

- Hi-impact plastic molded handle
- 1 thru 4 – 22 caliber single power loads
- .300 & 8mm headed fasteners & 1/4-20 threaded studs
- Light duty, low cost professional tool
- Lockable carrying case
- Easy breakdown for tool cleaning

Items Included

- Owner/operator manual
- Ear plugs
- Safety goggles
- Lubricant
- Stabilizer
- Cleaning brush

WHEN ORDERING USE PREFIX U1000



- | | | | |
|-----------------------|-------------------------|-----------------------------|------------------------------|
| 1 – Receiver | 8A – Reset Pin Cap | 14 – Buffer | 25 – Firing Mechanism Spring |
| 2 – Barrel | 9 – Trigger | 16 – Handle U1000 | 27 – Piston Ring |
| 3 – Breech Block | 10 – Firing Pin Sear | 21 – Firing Pin Spring | 28 – Trigger Pin |
| 4 – Firing Pin | 11 – Trigger Spring Cap | 22 – Reset Pin Spring | 30 – Handle Bolts (2) |
| 6 – Nose Piece | 12 – Piston w/Ring | 23 – Firing Pin Sear Spring | 42 – Stabilizer |
| 7B – Piston Reset Pin | 13 – Firing Pin Collar | 24 – Trigger Spring | PAT8150 – Cleaning Kit |