

## PAT-90A Tool



### PAT-90A Tool

Length	17 1/2"
Tool Weight	6.3 lbs.
Capacity	3" washered pin
Load Size	27 caliber strip

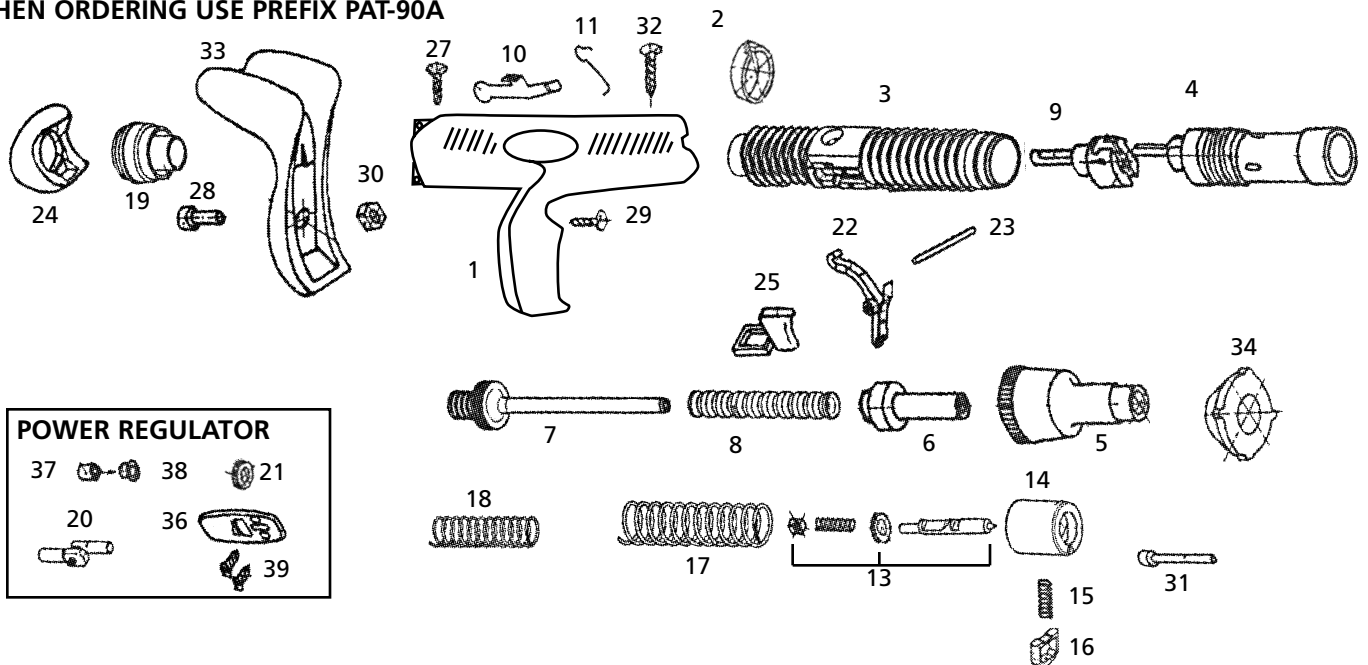
### Features

- Automatic self-cocking piston
- Can use 8mm and .300 headed fasteners & 1/4-20 threaded studs
- 27 caliber 10 shot strip requires only red loads due to power regulator
- Minimal recoil and very low noise
- Medium duty professional tool
- Lockable carrying case

### Items Included

- Ear plugs
- Safety goggles
- Lubricant
- Cleaning brush
- Owner/operator manual

### WHEN ORDERING USE PREFIX PAT-90A



- |                          |                           |                            |                                 |
|--------------------------|---------------------------|----------------------------|---------------------------------|
| 1 – Handle               | 10 – Advance Lever        | 20 – Power Regulating Bolt | 30 – Nut M6                     |
| 2 – Connecting Ring      | 11 – Advance Lever Spring | 21 – Power Regulating Nut  | 31 – Transfer Pin               |
| 3 – Barrel Guide         | 13 – Firing Pin Assembly  | 22 – Trigger Lever         | 32 – Screw M3 x 35              |
| 4 – Barrel               | 14 – Sear Holder          | 23 – Trigger Lever Pin     | 33 – Rubber Handle              |
| 5 – Base Plate           | 15 – Sear                 | 24 – Rubber End Cap        | 34 – Stabilizer                 |
| 6 – Guide                | 16 – Sear Spring          | 25 – Trigger               | 36 – Power Regulator Plate      |
| 7 – Piston               | 17 – Sear Holder Spring   | 27 – Screw M3 x 16         | 37 – Power Regulator Bushing    |
| 8 – Rubber Piston Sleeve | 18 – Firing Pin Spring    | 28 – Screw M6 x 15         | 38 – Power Regulator Sleeve     |
| 9 – Strip Block          | 19 – Cap                  | 29 – Screw M6 x 32         | 39 – Screws for Power Regulator |